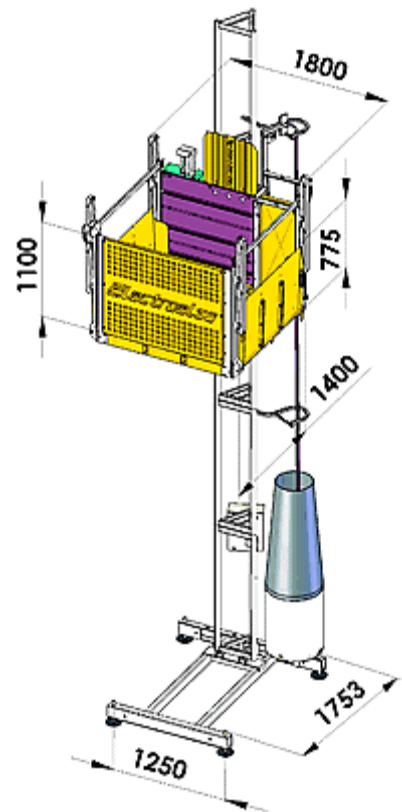


Material hoist

EHM 400 singlephase – EHM 500 threephase

Technical Data	EHM 400 single-phase	EHM 500 three-phase
Maximum pay-load capacity	400 kg	500 kg
Lifting speed	12 m / min	20 m / min
Maximum tied height	120 m	120 m
Platform dimensions	1,59 x 1,37 m	1,59 x 1,37 m
Input power range	220 / 50 Hz 230 / 60 Hz	380 / 50 Hz 415 / 60 Hz
Protection switch	16 A	16A
Power of the motors	1 X 2,2 kW	1 X 3 kW
Starting current	108 A	56 A
Minimum line power required (suggested)	3 kW	4,5 kW



ARISTARCHUS Ltd

e-mail : info@aristarchus.eu