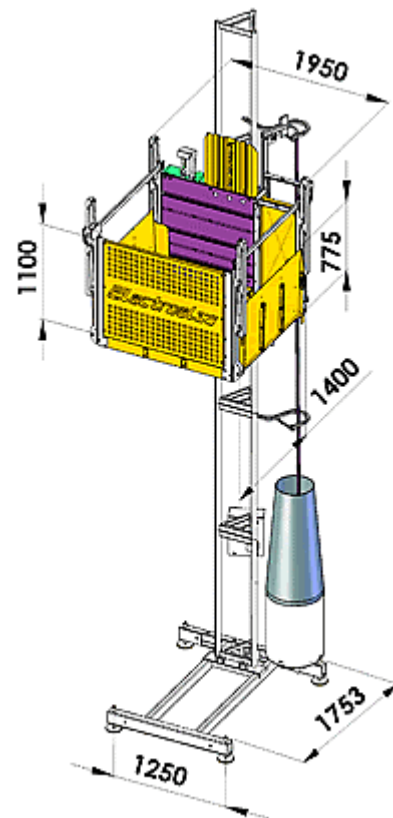


Material hoist

EHM 700

Technical Data EHM 700	
Max pay-load capacity	700 kg
Lifting speed	20 m / min
Max tied height	120 m
Platform dimensions	1.730 x 1.370 mm
Input power range	380/415 V, 50/60 Hz, 3Ph
Protection switch	16 A
Power of the motors	1 x 4 kW
Starting current	66 A
Minimum line power required (suggested)	6 kW



ARISTARCHUS Ltd

e-mail : info@aristarchus.eu