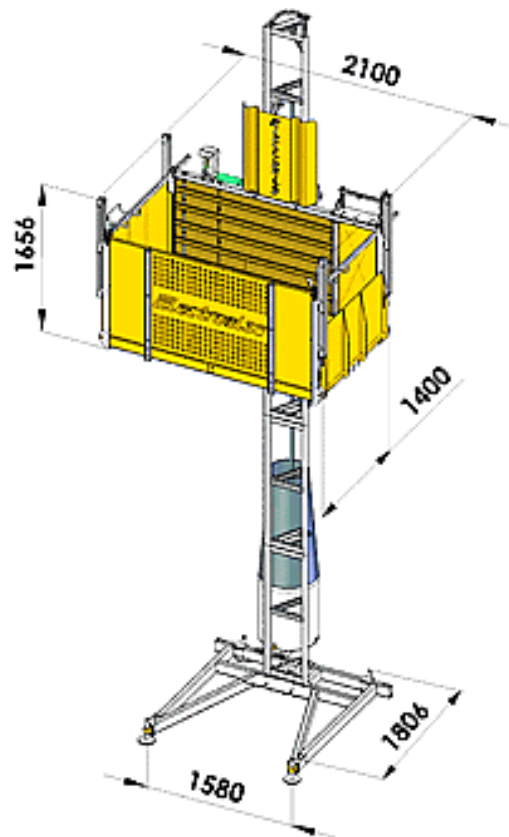


Material hoist

EHM 900

Technical Data - EHM 900	
Max pay-load capacity	900 kg
Lifting speed	20 m / min
Max tied height	120 m
Platform dimensions	1.960 x 1.311 mm
Input power range	380/415 V 50/60 Hz 3 Ph
Protection switch	16 A
Power of the motors	2 x 3 kW
Starting current	110 A
Minimum line power required (suggested)	10 kW



ARISTARCHUS Ltd

e-mail : info@aristarchus.eu