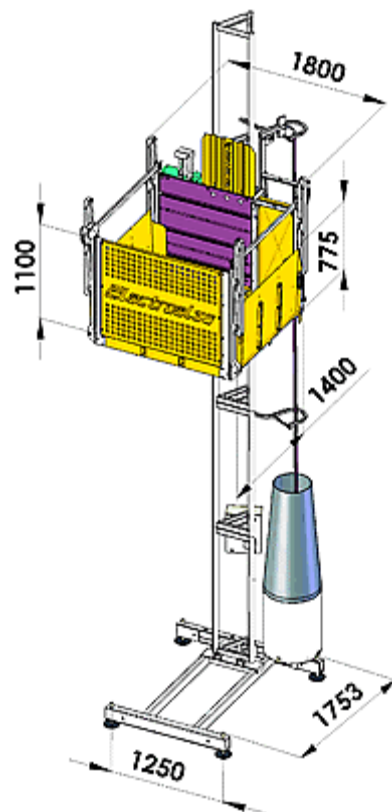


Transport platform

EHPM400 single-phase - EHPM500 three-phase

EHPM 400	400 Kg	EHPM 500	500 Kg
	+ 300 Kg		+ 400 Kg
	+ 200 Kg		+ 300 Kg
	+ 100 Kg		+ 200 Kg
			+ 100 Kg



Technical Data	EHPM 400 single-phase	EHPM 500 three-phase
Max pay-load capacity	400 kg	500 kg
Lifting speed	12 m / min	12 m / min
Max. tied height	120 m	120 m
Platform dimensions	1,59 x 1,37 m	1,59 x 1,37 m
Input power range	220 / 50 Hz 230 / 60 Hz	380 / 50 Hz 415 / 60 Hz
Protection switch	16 A	16 A
Power of the motors	1 X 2,2 kW	1 X 2,2 kW
Starting current	108 A	45 A
Minimum line power required (suggested)	3 kW	4,5 kW

ARISTARCHUS Ltd

e-mail : info@aristarchus.eu