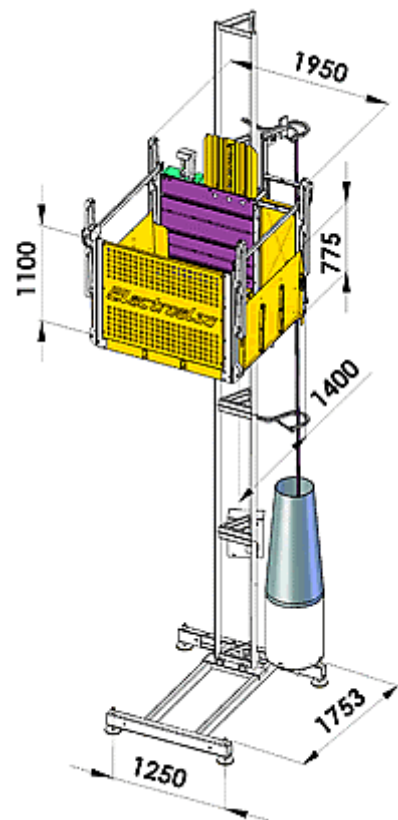


**Transport platform**

**EHPM 700**

|   |   |
|---|---|
| <b>EHPM 700</b>   |  <b>700 Kg</b> |
|    | + 600 kg       |
|    | + 500 kg       |
|    | + 400 kg       |
|  | + 300 kg     |
|  | + 200 kg     |



| Technical Data - EHPM 700               |                               |
|---|-------------------------------|
| Max pay-load capacity                   | 700 kg                        |
| Lifting speed                           | 12 m / min                    |
| Max tied height                         | 120 m                         |
| Platform dimensions                     | 1730 x 1370 mm                |
| Input power range                       | 380 / 415 V, 50 / 60 Hz, 3 Ph |
| Protection switch                       | 16 A                          |
| Power of the motors                     | 1 x 3 kW                      |
| Starting current                        | 56 A                          |
| Minimum line power required (suggested) | 4,5 kW                        |

**ARISTARCHUS Ltd**

e-mail : [info@aristarchus.eu](mailto:info@aristarchus.eu)