
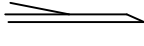

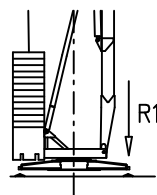


GRU A MONTAGGIO RAPIDO
 GRUE A MONTAGE RAPIDE
 GRUA DE RAPIDO MONTAJE
 GRUA DE MONTAGEM RAPIDA
 QUICK SELFRECTING CRANE
 HYDRAULISCHER SCHNELLMONTAGEKRAN

Curve di carico – Courbes de charges – Load diagrams – LastKurven – Curvas de cargas

	3	23.5	26	m								
	700	700	700	kg								
	3	13.2	14	16	18	20	22	24	26	28	m	
	2000	2000	1860	1585	1375	1210	1080	970	875	800	kg	
	3	14	15	17	19	21	23	25	m			
	2000	2000	1840	1580	1385	1230	1100	1000	kg			
	3	13	m									
	2000	2000	kg									

Reazioni – Reactions – Réactions – Eckdrücke – Reacciones – Reacções

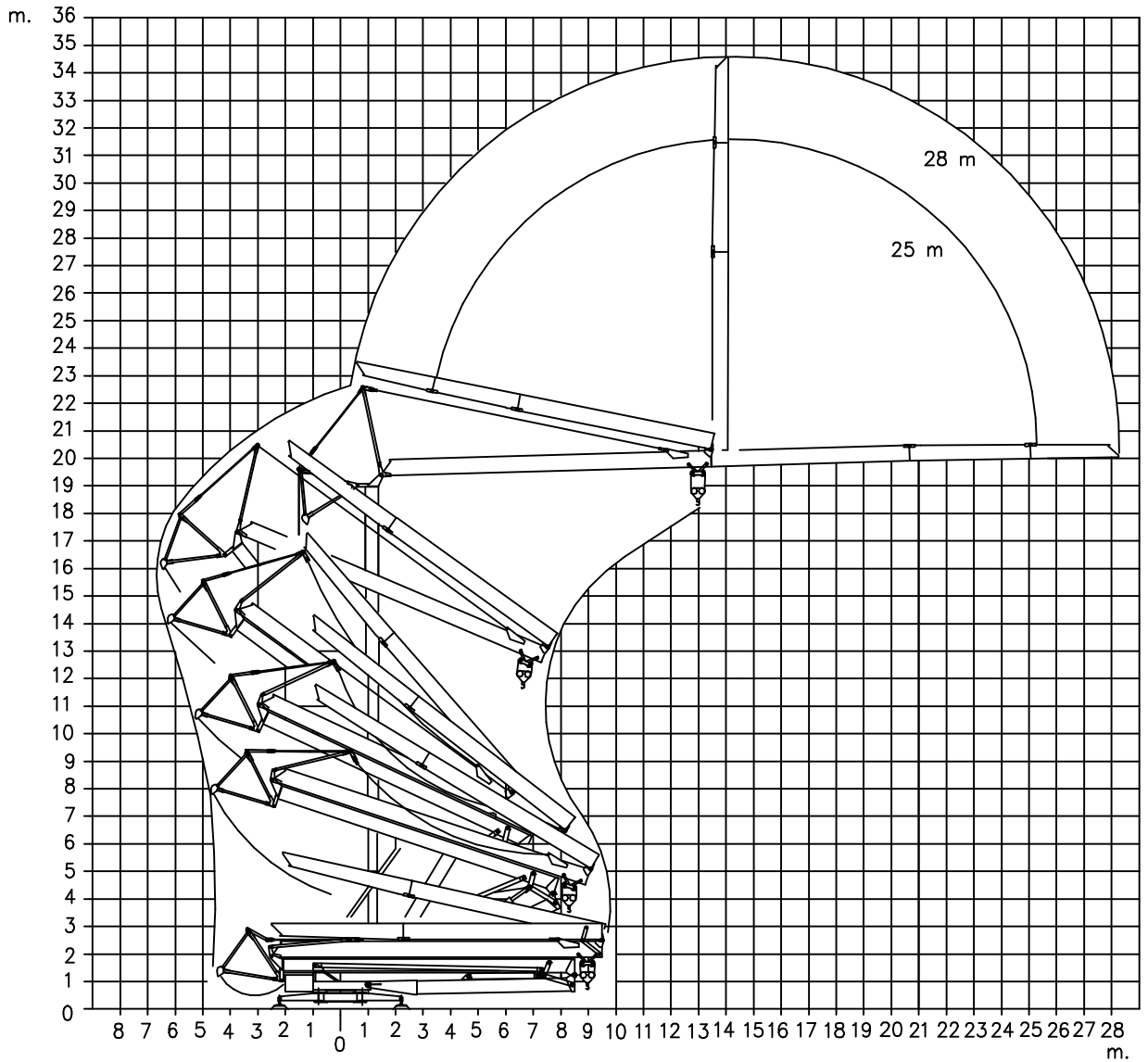


R1 ● 15.5 t ■ 16.8 t

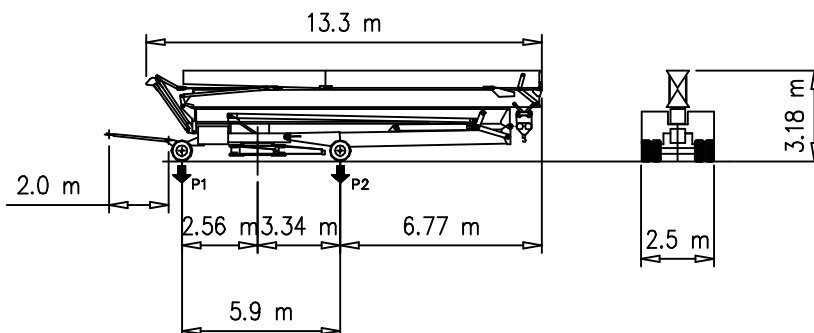
▲ 9.2 t ○ 17 t

- | | | |
|--|--|---|
| ● Reazioni in servizio | ● Reactions in service | ● Réactions en service |
| ■ Reazioni fuori servizio | ■ Reactions out of service | ■ Réactions hors service |
| ▲ Peso della gru senza assali | ▲ Dead weight without transport axles | ▲ Poids de construction sans essieux |
| ○ Peso zavorra rotante | ○ Ballast weight | ○ Poids du lest |
| ● Reaktionskräfte in betrieb | ● Reacciones en servicio | ● Em serviço |
| ■ Reaktionskräfte außer betrieb | ■ Reacciones fuera de servicio | ■ Fora de serviço |
| ▲ Konstruktionsgewicht ohne transportachse | ▲ Peso de la grua sin tren de transporte | ▲ Peso de la grua sem carro de transporte |
| ○ Ballastgewicht | ○ Peso de lastre | ○ Peso de lastre rotativo |

Montaggio – Montage – Erection – Montage – Montaje




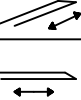



Trasporto – Transport – Transport – Transport – Transporte



P1	kg	6800
P2	kg	10800
Ptot	kg	17600

Meccanismi – Mechanisms – Mécanismes – Antriebe – Mecanismos – Montagem

Sollevamento Hoisting Levage Heben Elevaciòn Elevaçao			1a	4 m/min	2000 kg	6.6 kW
			2a	16 m/min	2000 kg	
			3a	32 m/min	1000 kg	
Carrello Trolleying Distribution Katzfahren Distribuciòn Distribuiçao			1a	17.5 m/min	700 kg	2.2 kW
			1a	17.5 m/min	2000 kg	
			2a	35 m/min	2000 kg	
Rotazione Slewing Orientation Schwenken Orientaciòn Rotaçao			giri/min 0.8 tr/min rp/min			2.2 kW

Rete elettrica – Réseau – Mains supply – Netzstrom – Red – Rede electrica	400V – 50 Hz
---	--------------

Potenza elettrica necessaria – Puissance électrique nécessaire Necessary electric power – Anschlusswert – Potencia electrica necesaria	15 kVA
---	--------

	DIN 15018 2000/14/CE	
---	-------------------------	--



Documento commerciale non contrattuale
Per tutte le informazioni tecniche riferirsi
alle corrispondenti istruzioni

Unverbindliches Vertriebsdokument.
Für technische Informationen, siehe die
entsprechenden Anweisungen.

This commercial document is not legally
binding. For any technical information, please
refer to the corresponding instructions.

Documento comercial no contractual
Para cualquier información técnica,
ver la noticia correspondiente.

Code: 15ICA37B50A0			
Ed.	Data	Rev	Data
1	05.06.03	0	05.06.03